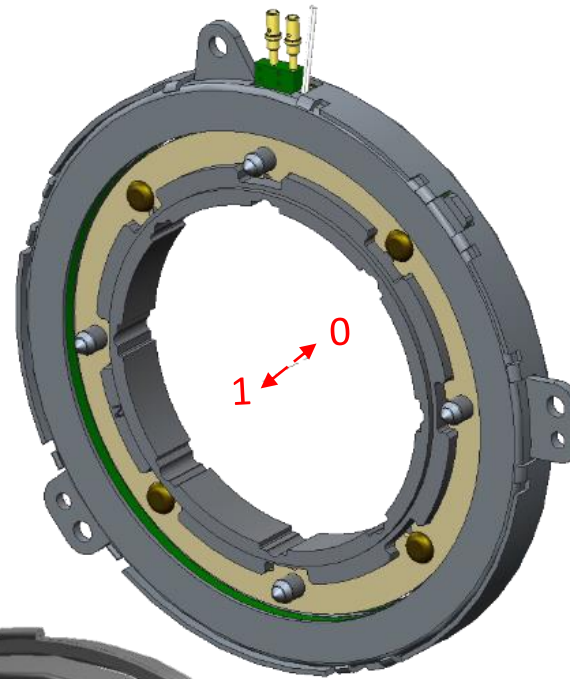


# ON-AXIS SOLENOIDS

## *Pawl Clutch Actuation*

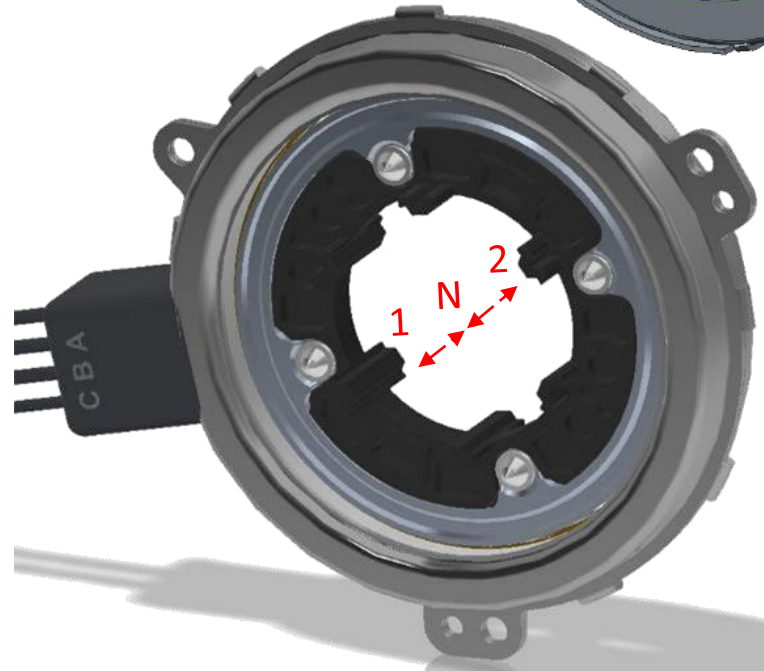
- **2-Position Bi-Stable:**

- Pawl clutch actuation
- 3.5mm stroke
- Hall Effect Position Sensor

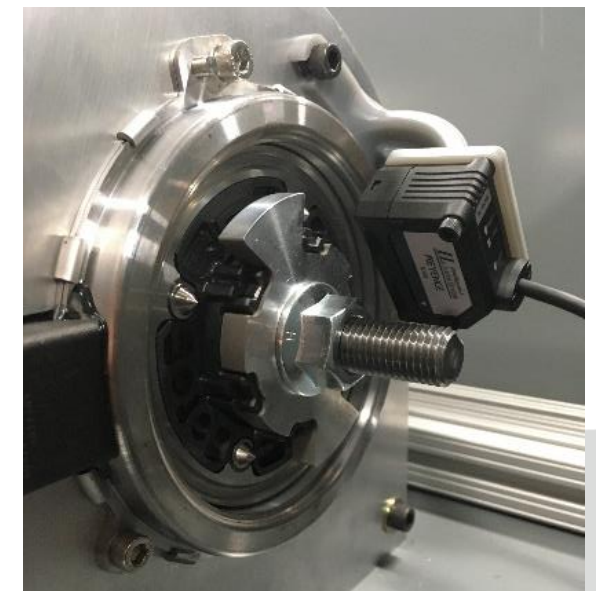
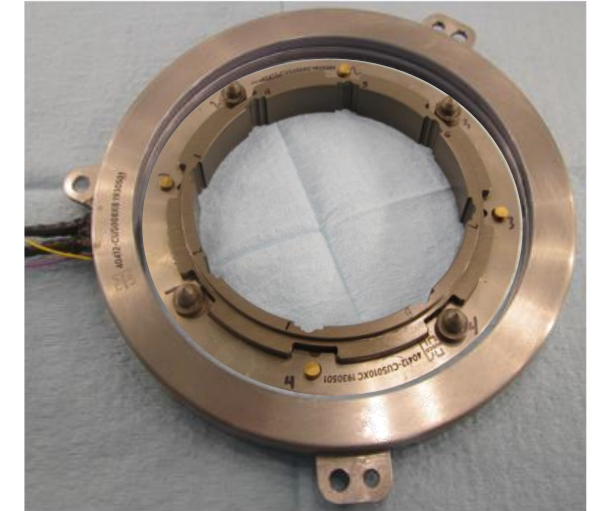


- **3-Position Tri-Stable:**

- Pawl clutch actuation
- 9mm total stroke (4.5mm each direction)
- Patent pending design to mitigate overshoot at null position



## Prototypes



# ON-AXIS SOLENOIDS

## *Dog Clutch Actuation*

- **Mono-Stable Axle Locker w/Position Sensing:**
  - Dog clutch actuation
  - 50N force 4.15A peak current
  - 50N force at 3.25A hold current at extended position
  - 5.0mm stroke
  - Linear tri-axis hall effect position sensor
  - ID guided w/PTFE coated bushing
  - Sealed pass-through connector
- **Bi-Stable Axle Disconnect w/Position Sensing:**
  - Dog clutch actuation
  - 50N extend/retract force at +/-8A
  - 200N hold force at 0A at end positions
  - 4.3mm stroke
  - Linear tri-axis hall effect position sensor
  - ID guided w/PTFE coating

