



HIGH SPEED BLDC ACTUATOR

Rotary Actuator with Internal Gearbox

A rotary actuator that is capable of up to 0.3 Nm (2.7 in-lbs) continuous down to 25 RPM and 1.0 Nm (8.9 in-lbs) boost torque at 133 RPM. This actuator provides high speed adjustment of on-engine phasing. A physical internal rotary sensor provides absolute position feedback, which is especially desirable for applications where accurate real-time position data is important for critical system-level protection and fail-safe functionality.

The actuator includes a BLDC motor and gearbox to generate and transmit torque, and features an on-board controller which includes CAN communication, on-board rotary position sensing, position control, bootloader capability, and diagnostics. Flexible mounting and output options are available, and a fail-safe position of the output shaft can be communicated in the event of communication loss or component failure.

*Technical Data:

Rotation Range: 355°

Torque (nominal): $\pm 0.33\text{Nm}$

Torque (boost[^]): $\pm 1.0\text{Nm}$

Speed: 133RPM Max

Current (continuous): 1.25A rms

Current (boost[^]): 5.0A max

NVH: <50dbA

CAN Communication: CAN 2.0b

Internal Rotary Sensor: $\pm 3\%$ accuracy

[^]Duty cycle at Boost Torque Level expected to be <20%

*Operating Limits:

Supply voltage nominal: $12 \pm 1\text{VDC}$

Supply voltage range: 9 to 16 VDC

Temperature: -40°C to 150°C

*Contact Husco engineering for customized performance, sensing, mounting, communication, diagnostics, ingress protection, or connectors.

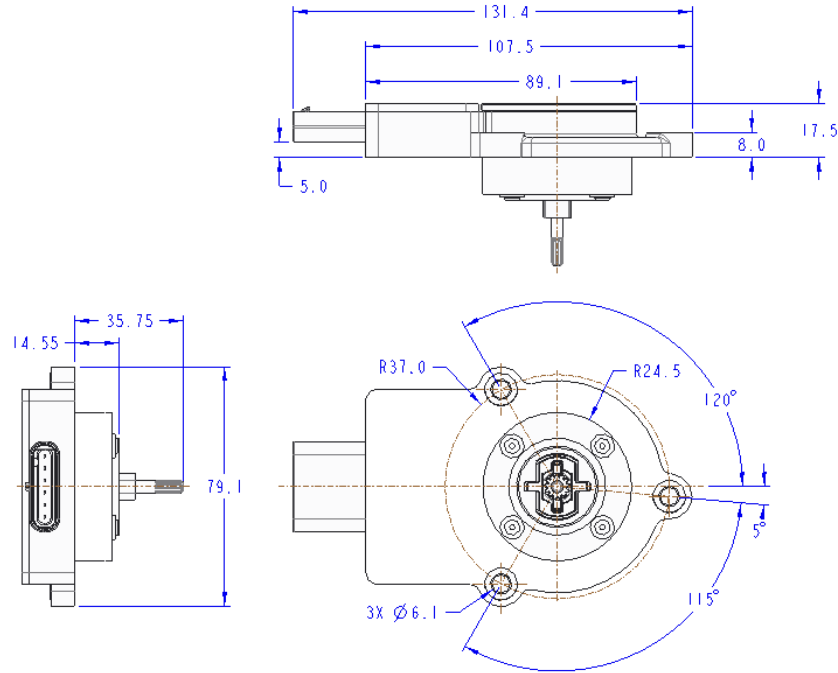


Husco's Automotive team specializes in collaborative development of customized performance solutions. Contact the engineering team for your custom solution.

inquiries@huscoauto.com | (262) 513-4200 | Husco.com



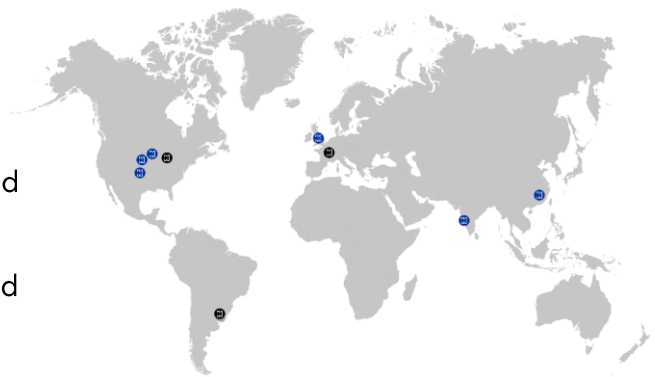
Packaging Size



Partner with Husco

Husco develops comprehensive automotive solutions that drive performance, including systems and components for electric, hybrid and internal combustion engine vehicles.

Husco is a global company with facilities around the world. Options for manufacturing locations include North America, Europe, and Asia.



Husco's Automotive team specializes in collaborative development of customized performance solutions. Contact the engineering team for your custom solution.

inquiries@huscoauto.com | (262) 513-4200 | Husco.com